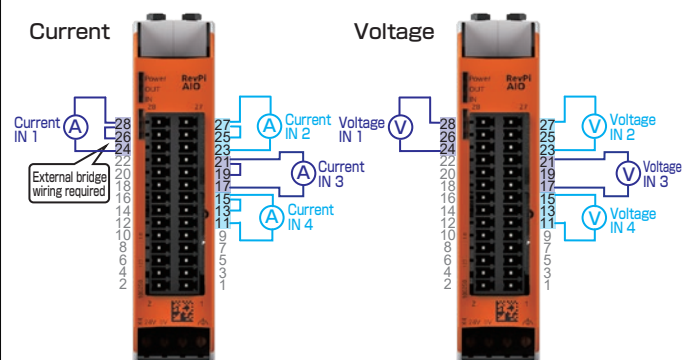


Product Specifications

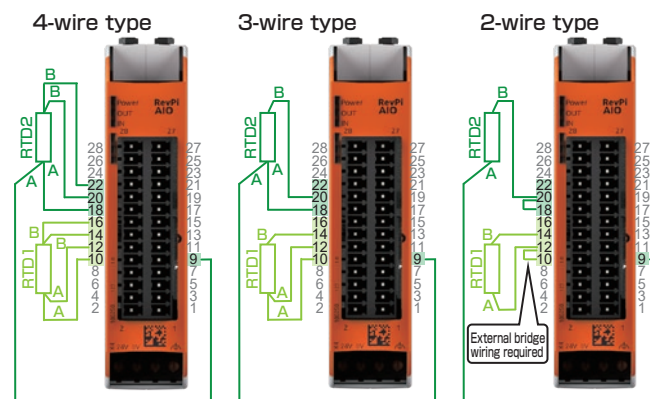
Analog input channels	x 6
Input Electric characteristics	Voltage max. 4 ch : $\pm 10\text{ V}$; $\pm 5\text{ V}$; $0\cdots 10\text{ V}$; $0\cdots 5\text{ V}$ Current max. 4 ch : $0\cdots 20\text{ mA}$; $0\cdots 24\text{ mA}$; $4\cdots 20\text{ mA}$ $\pm 25\text{ mA}$ RTD max. 2 ch : 2/3/4-wire -200 \cdots +850 °C
Analog input interface	14pin socket connector (0.2-1.5 mm ²)
Analog output channels	x 2
Output Electric characteristics	Voltage max. 2ch : $\pm 10\text{ V}$; $\pm 11\text{ V}$; $\pm 5\text{ V}$; $\pm 5.5\text{ V}$; $0\cdots 10\text{ V}$; $0\cdots 11\text{ V}$; $0\cdots 5\text{ V}$; $0\cdots 5.5\text{ V}$; Current max. 2ch : $0\cdots 20\text{ mA}$; $0\cdots 24\text{ mA}$; $4\cdots 20\text{ mA}$
Analog Output interface	14pin socket connector (0.2-1.5 mm ²)
Galvanic isolation	Input to Input: No, Input to Output: Yes, Output to Output: No, System bus to inputs/outputs: Yes
Input type	Voltage/current: differential, RTD : 2/3/4-wire
Output type	Single ended
ADC/DAC	24 bit $\Delta\Sigma$ /16 bit
Input resolution	Voltage: 1mV(16bit), Current: 1 μA (16bit), Temperature: 0.1 K(16bit)
Output resolution	Voltage: 1mV(16bit), Current: 1 μA (16bit)
Max. overall input error @25°C	Voltage: $\pm 10\text{ mV}$ ($\pm 5\text{ mV}$ @ $0\cdots 5\text{ V}$ range) Current: $\pm 20\text{ }\mu\text{A}$ ($\pm 24\text{ }\mu\text{A}$ @ $0\cdots 24\text{ }\mu\text{A}$ range) Temperature: $\pm 0.5\text{ K}$
Max. overall output error @25°C	Voltage: $\pm 15\text{ mV}$ Current: $\pm 20\text{ }\mu\text{A}$
Input conversion time	8...1000 ms (adjustable)
Output throughput rate	1 LSB@3.3 kHz, max. 128 LSB@258 kHz
Input impedance	Voltage: >900 k Ω , Current: <250 Ω
Output impedance	Voltage: <16 Ω , Max. capacitive load: 5 nF @ 1 k Ω
Load resistance	Max. load resistance (Current): 600 Ω , Min. load resistance (voltage): 1 k Ω
Power supply	DC12-24V -15%/+20%
Protection of the power inputs	Reverse polarity protected, overvoltage protection
Current consumption	max. 200mA/24V (full load), max. 500mA (during start up)
Operating temperature	-30~55 °C
Storage temperature	-40~85 °C
Humidity	0~93% (non-condensing)
Protection degree	IP20
Housing material	Polycarbonate
Size (HxDxW)	96 x 22.5 x 110.5 mm (Protrusion not included)
Weight	approx. 115g (including connectors)
Mounting	DIN-rail mounting
CE, RoHS	compliant

Wiring

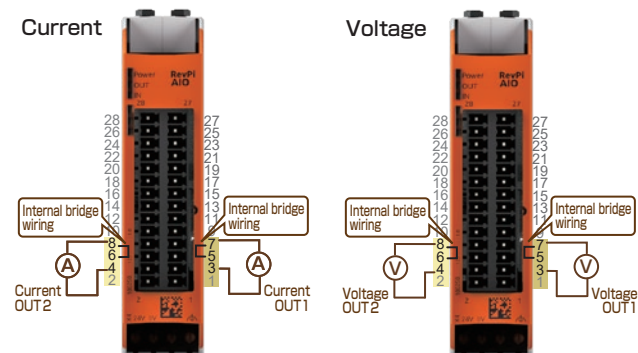
◆ Analog input



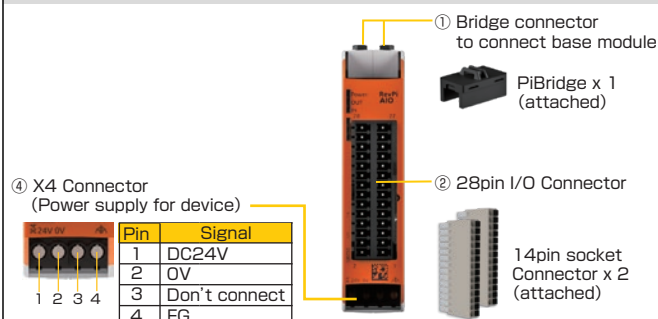
◆ RTD input



◆ Analog output



Interfaces



Order Information

Model	Description	Part Number
Analog 6 input/2 output AIO Module	RevPi AIO	72PR100250