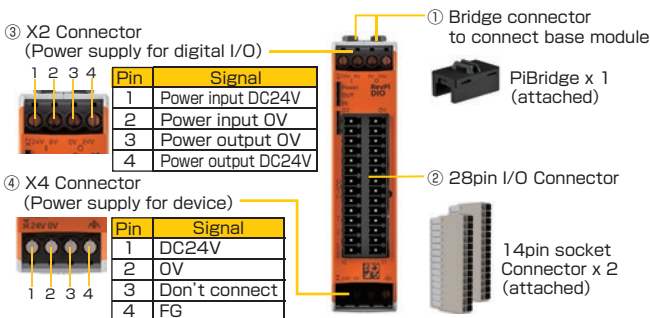


Product Specifications

Digital input channels	x 14 PNP
Input Electric characteristics	Galvanically isolated : internal logic, DC24V (isolated from the power supply/output) Input current : 2.4 mA (at 24 V power supply) Frequency : 2kHz (corresponding to 500 Hz encoder sequence)
Digital input interface	14pin socket connector (0.2-1.5 mm ²)
Digital output channels	x 14 PNP
Output Electric characteristics	Galvanically isolated : internal logic, DC24V (isolated from the power supply/output) Output current: 500mA(High-Side Mode), 100mA(Push-Pull Mode) PWM frequency* : 40/80/160/200/400Hz (selectable)
Digital output interface	14pin socket connector (0.2-1.5mm ²)
Alarm	Thermal shutdown or short circuit of outputs (individually for each output)
Dual Watchdog	In the event of communication failure with the controller (after 50 ms) or internal communication with the CPU (after 9 ms, hardware-controlled), the outputs are reset to zero
Output protection	According to EN 61131-2 (IEC 61000-4-4, -5, -6, and -2) against short circuit, overload, external voltage, negative voltages, burst, surge, ESD, RFI
Power supply	DC 12-24V -15%/+20%
Protection of the power inputs	Reverse polarity protected, overvoltage protection
Power consumption	approx. 1.5W
Operating temperature	-40~55 °C
Storage temperature	-40~85 °C
Humidity	0~93%(non-condensing)
Protection degree	IP20
Housing material	Polycarbonate
Size (HxDxW)	96 x 22.5 x 110.5 mm (protrusion not included)
Weight	approx. 100g/130g (including connectors)
Mounting	DIN-rail mounting
CE, RoHS	compliant

*The PWM pulse width is stored as a value from 0 to 100 in the process image in 1 byte. The maximum resolution of the conversion of this value in % by the module depends on the PWM frequency: 40 Hz / 1%, 80 Hz / 2%, 160 Hz / 4%, 200 Hz / 5%, 400 Hz / 10%.

Interfaces

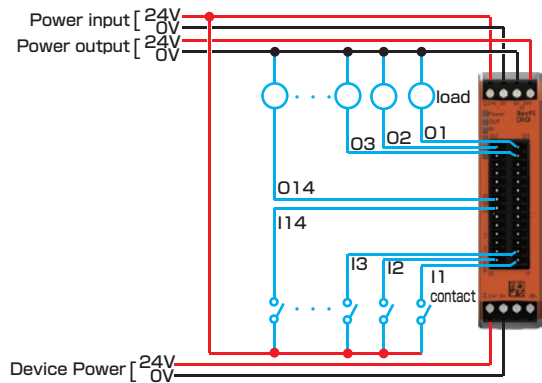


Order Information

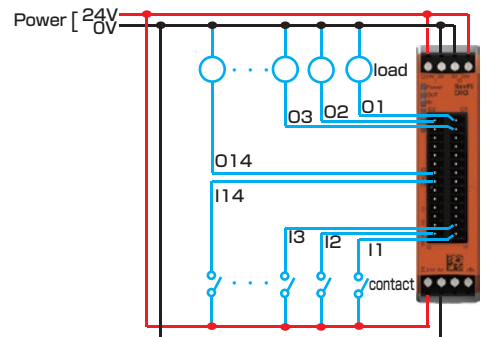
Model	Description	Part Number
Digital 14 input/14 output DIO Module	RevPi DIO	72PR100197

Wiring

◆3 port insulation system



◆Collective power supply system



◆Wiring for PNP/NPN conversion

