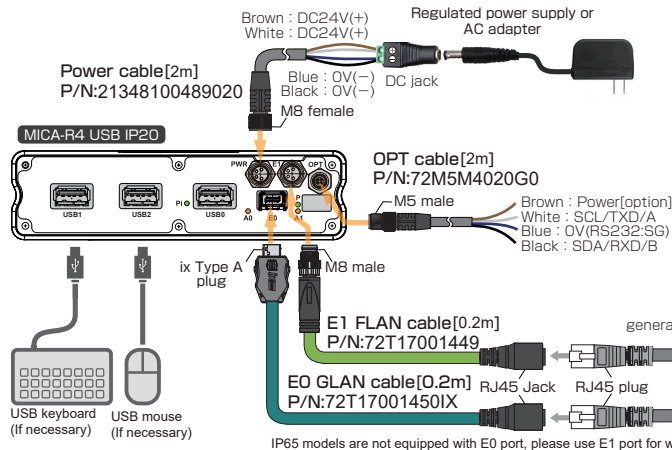


Connection example



Pin	Col.	Signal
1	BR	24VDC(V1)
2	WH	24VDC(V2)
3	BL	0V(V1)
4	BK	0V(V2)

V1:Main power V2:Sub

Pin	Col.	I2c	RS232	RS485
1	BR	3.3V/5V/none*		
2	WH	SCL	TXD	A
3	BL	0V(RS232:SG)		
4	BK	SDA	RXD	B

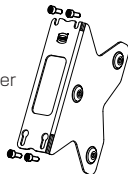
*1 pin for power output is no output by default.

Installation Mount Adapter

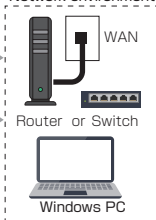


DIN rail mount adapter
P/N:20952000004

Wall mount kit
P/N:20953000007



Network environment



This is a connection example using MICA-R4 USB IP20 model. Actual configuration may differ depending on product models and the environment of use.

Optional accessories (cables of different length, water-proof caps, LTE antennas, etc) are available - if you have any inquiry, please contact us.